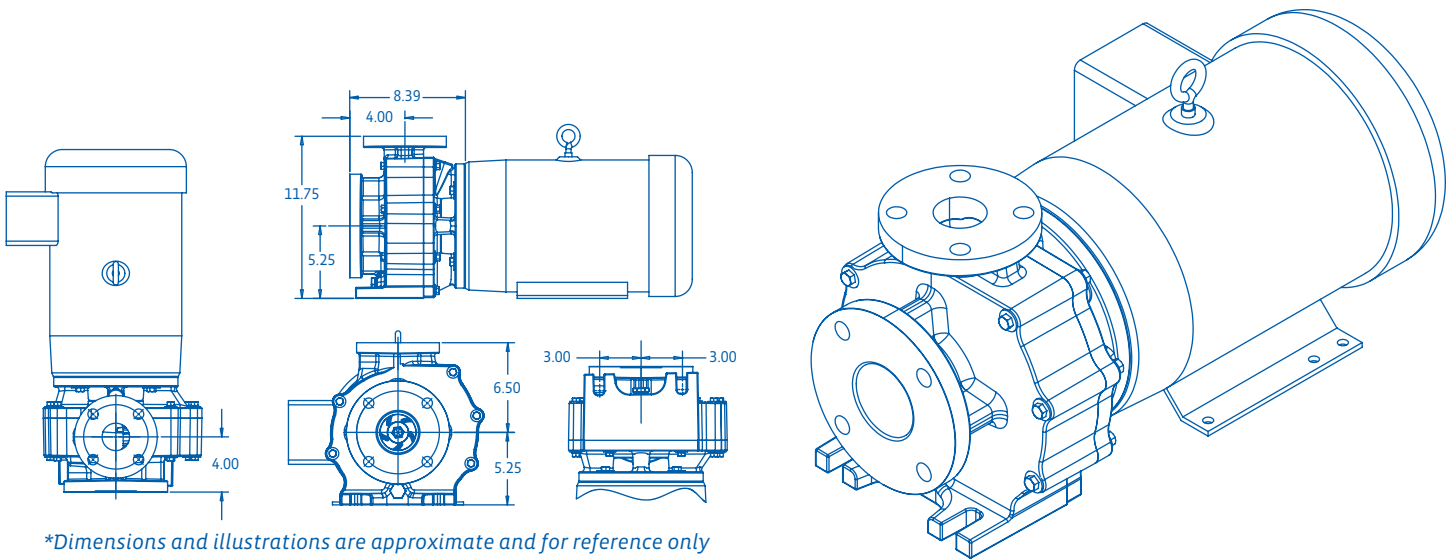


# SEQUENCE® Titan



## ■ Titan Model 31500SEQ180

As large water features and high turnover requirements continue to gain popularity, the cost of energy does not! Introducing the Sequence® Titan series: Imagine 12,000 GPH for less than 845 watts! THE HIGHEST EFFICIENCY PUMPS available for water garden applications – where you need them most, in high flow! With flow rates between 12,000 and 32,000 GPH and head capabilities between 21 and 180 feet, the Sequence® Titan series is sure to cover most large scale water feature requirements. Sequence® Titan. Sequence® EFFICIENCY. It's the name of the game. **Available in 230/460VAC 3 Phase only. Cordset not provided. Made in the USA.**



Flow At Total Dynamic Head

Model	Max Flow GPH	Max Head Feet	Max Power Watts	Max Current Amps	Flow	Flow At Total Dynamic Head					Voltage	Motor Enclosure
						60'	90'	120'	150'	180'		
31500SEQ180	32000	180	13000	36.0	GPM	500	450	392	312	117	230	TEFC
					GPH	30000	27000	23500	18700	7000		

Sustainable, Efficient

© 2009 SEQUENCE PUMPS A DIVISION OF MDM INC.



# SEQUENCE 31500SEQ180 (High-Speed)

