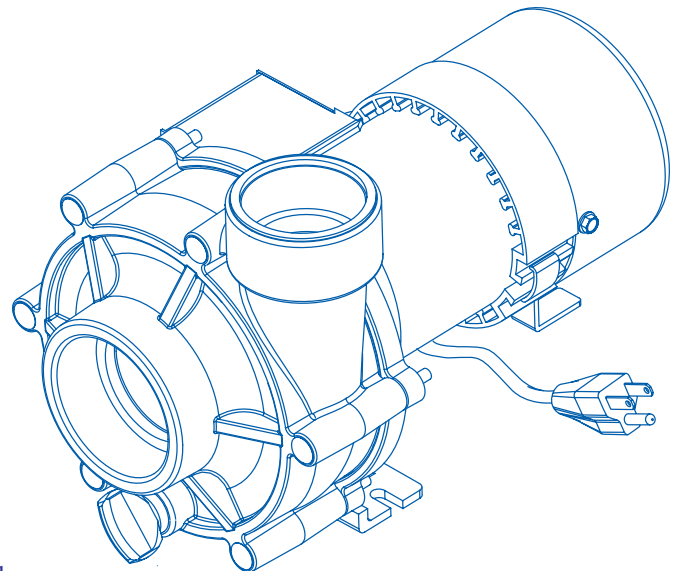
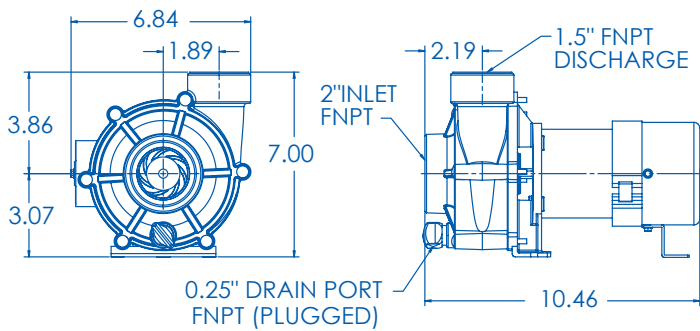


SEQUENCE® 750



■ 750 Model 3600SEQ12

Our best seller! The compact 750 series delivers big flow for little power. Great for smaller and simple ponds (3,000 gallons or less). The motor is totally-enclosed fan-cooled for durability. 115V only. 3 year limited warranty. **Supplied with an 8 foot cordset.**



*Dimensions and illustrations are approximate and for reference only

Flow At Total Dynamic Head

Model	Max Flow GPH	Max Head Feet	Max Power Watts	Max Current Amps	Flow					Voltage	Motor Enclosure	
					2'	4'	6'	8'	10'			
3600SEQ12	3600	12	139	1.4	GPM	54	47	40	31	20	115	TEFC
					GPH	3240	2820	2400	1860	1200		

Sustainable, Efficient

© 2009 SEQUENCE PUMPS A DIVISION OF MDM INC.



 SEQUENCE 3600SEQ12 (Low-Speed)

