

INSTALLATION INSTRUCTIONS

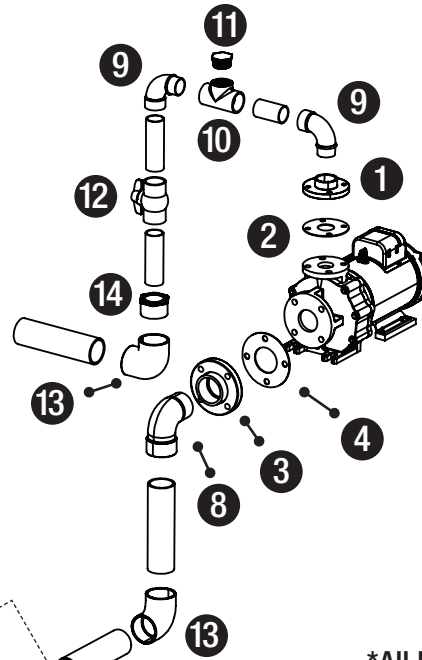


EXTERNAL PUMP PLUMBING KIT

Item #48027

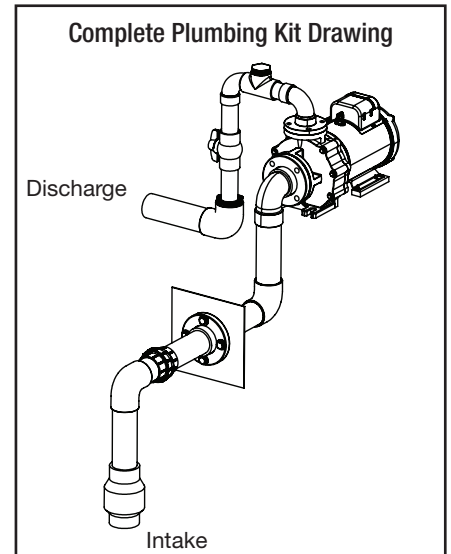
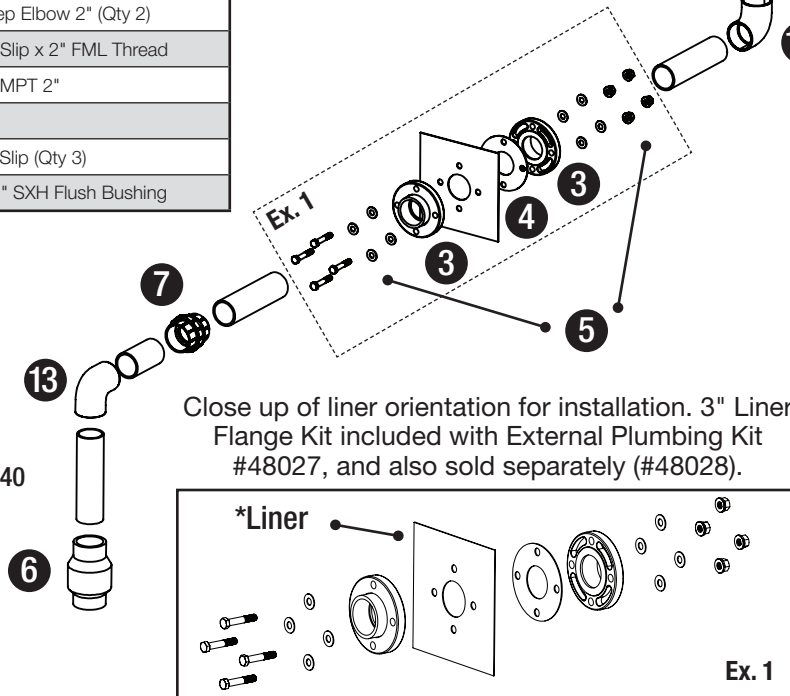
Contents - #84027	
No.	Description
1.	Van Stone Flange PVC SCHD 80 2" Slip
2.	Van Stone Flange EPDM Gasket 2"
3.	Van Stone Flange SCHD 80 PVC 3" Slip (Qty 3)
4.	Van Stone Flange EPDM Gasket 3" (Qty 2)
5.	Flange Hardware Kit
6.	Check Valve PVC 3" Slip x Slip
7.	PVC Union Fitting 3" Slip x 3" Slip
8.	PVC 90° Street Sweep Elbow 3"
9.	PVC 90° Street Sweep Elbow 2" (Qty 2)
10.	PVC Tee 2" Slip x 2" Slip x 2" FML Thread
11.	PVC Hex Head Plug MPT 2"
12.	Ball Valve 2" Slip
13.	PVC 3" Elbow Slip x Slip (Qty 3)
14.	Plumbing PVC 3" x 2" SXH Flush Bushing

* 2" PVC SCH40

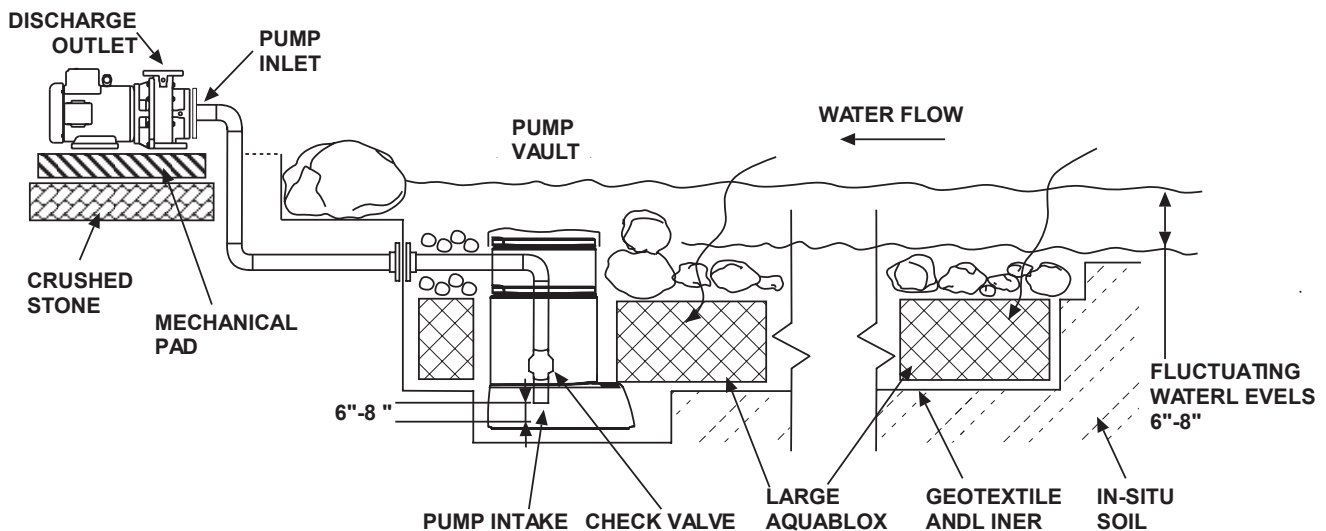


*All PVC Pipe and Liner Not Included

* 3" PVC SCH40



Application Drawing



facebook.com/aquascapeinc
youtube.com/aquascape4
pinterest.com/aquascapeinc

For more information about our company or products, please visit our website at aquascapeinc.com or call us at US (866) 877-6637 CAN (866) 766-3426
©2020 Aquascape, Inc. • All Worldwide Rights Reserved