



LUMINOSITY

POWER BEAM™ LED POND & GARDEN LIGHT

includes
**Inline
Controller**
(Changes to the
color of your
choice)

For use
IN OR OUT
of water!

- Contains One 72 Super Bright LED Changing Light (red, green & white) with Inline Controller that changes to the color of your choice & TRANSFORMER
- ENERGY SAVING!

Can also be used
WITHOUT the
Stand

Item Number: LED572T

Instruction Manual – LED572T

MAIN FEATURES

Alpine Corporation is proud to introduce our New LED Garden Lighting. These innovative lights will add character, class and ambiance to your pond, garden and water feature.

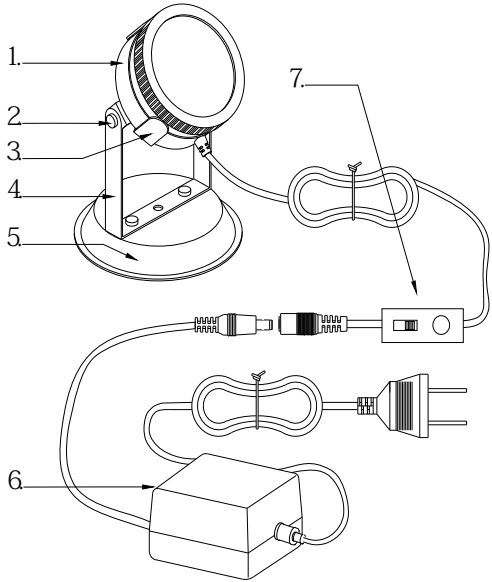
- Super bright LED light, that offers low energy consumption, for an environmentally friendly solution to standard lighting.
- Multi Color light with auto changing color feature and On/Off switch.
- Sleek design housing constructed of high-grade aluminum.
- All-purpose adjustable stand with easy detach feature.
- Low voltage design for safe handling and lower energy costs.

Product Name	Super Bright Color Changing LED Light
Model #	LED572T
Rated Voltage	INPUT: 230V/50Hz or 120V/60Hz, OUTPUT: AC12V/500mA
Consumption Power	6 Watt
Light head Dimension	Diameter 2.8" x Height 1.1"
Cable length	10 m (33 feet)

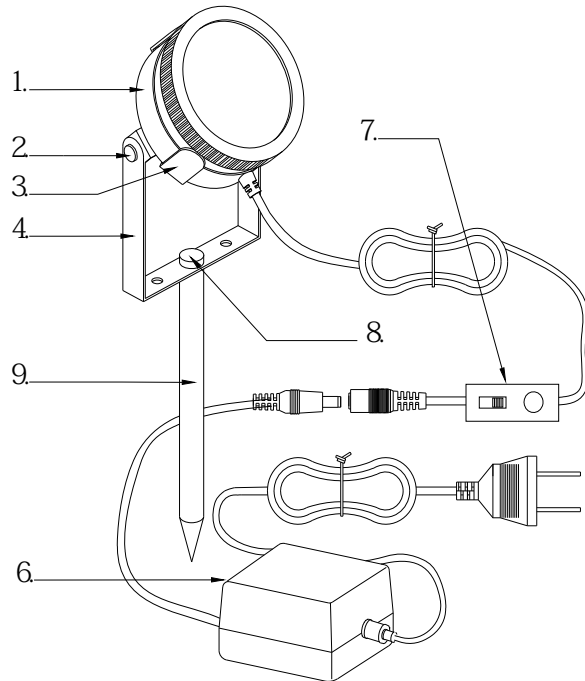
Caution:

- (1) If used with a different transformer than what is included please make sure it has the proper voltage rating.
- (2) The transformer can get hot! Please be sure not to cover and is in a location were it can receive sufficient air circulation.

Parts list



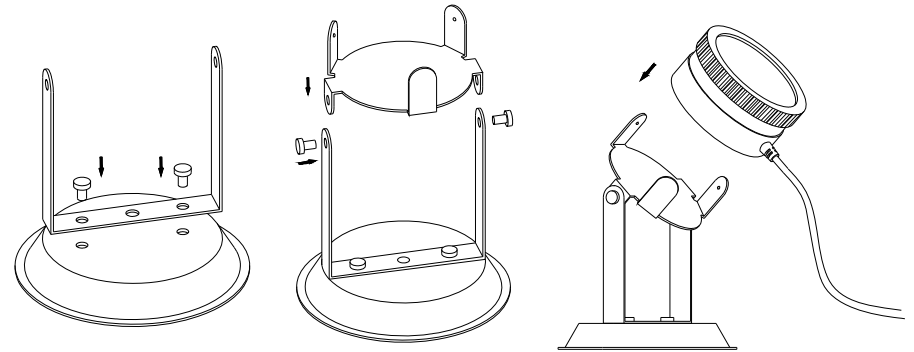
Parts Name	pcs
1. Light housing	1
2. Screws (short)	4
3. Mounting Bracket	1
4. Stand	1
5. Base	1
6. Transformer	1
7. Controller (attached on the cable)	1
8. Screw (long)	1
9. Stake	1



Assembly of the bracket set:

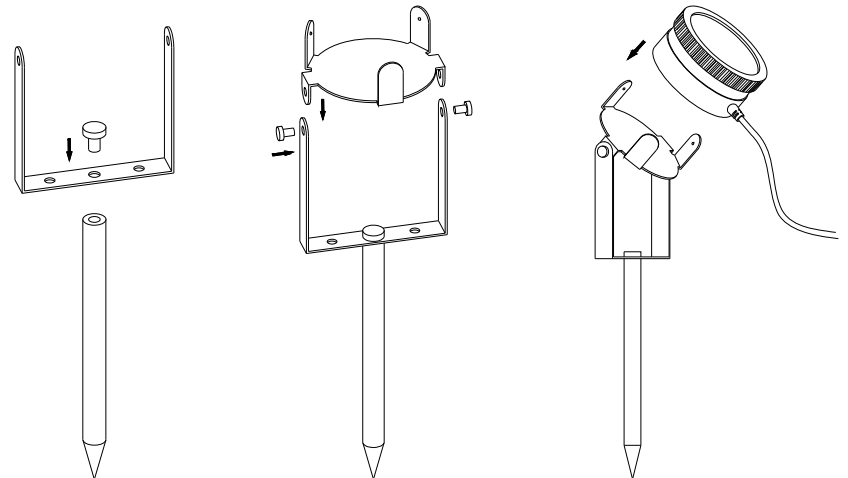
Mounting Bracket Stand for optional use. If you have an application does not require it, simply detach the light housing by pulling.

1. Attach the stand to the base with 2 short screws.
2. Attach the mounting bracket to the top of the stand with 2 short screws.
3. Gently press the light housing into the mounting bracket.



For use in Garden: Use the garden stake instead of the base.

1. Attach garden stake to stand using 1 screw. Then follow steps 2 and 3 from above.



Operation:

1. Place the light in your pond, water feature or attach the garden stake and place in your garden in the direction you would like to illuminate.
2. Connect the cable to the transformer: Plug the male connector pin into the female connector on the transformer; turn the locknut clockwise until tight.
3. Plug the transformer into a standard 110 Volt outlet and enjoy your new light.
 - (1) Use the Power Switch on the cord to turn ON or turn OFF.
 - (2) Press the Mode Switch to select the desired color, reference the mode function table in this manual to see all the available modes.

Useful information:

Need more lighting to add to your landscape? Please contact your local Alpine distributor.

1. You can also use this product with an Alpine Photocell & Timer to automatically turn on your lighting at dusk and turn off at dawn or programmed to turn on and off at your desired time. Photocell & Timer is part number PL200 and is not included.
2. Attach either 5 or 10 lights to a single transformer system with Alpine Garden Light Cable. Available in 25 foot with 5 outlet connectors or 50 foot with 10 outlet connectors. Garden Light Cables are part numbers PL325 and PL350 and are not included.
3. Power all your Garden and Landscaping needs with just one transformer. Alpine can meet all your needs and Alpine distributors carry transformers ranging from 60 Watt all the way up to 300 Watt for even your biggest landscape projects! Contact a local distributor today and ask for more great products from Alpine Corporation!

If Power Switch is pressed and held for more 2 seconds, the light will automatically shut down and keep standby status.

FUNCTION	MODE	COLOR ORDER	RED	GREEN	BLUE	STATUS	
Single color	1		●			Solid constant color	
	2			●			
	3				●		
Multi-color	4		●	●			
	5			●	●		
	6		●		●		
All color	7		●	●	●		
Auto-changing color	8	1	●	●	●		Auto-changing color cycles, 40 seconds per cycle.
		2	●	●			
		3		●			
		4	●	●	●		
		5	●		●		
		6	●				
		7	●	●	●		
		8			●		
	9	1	●			Light up each color as modes No. 1 to No.7 step by step, 3 seconds per cycle.	
		2		●			
		3			●		
		4	●	●			
		5		●	●		
		6	●		●		
10	10	Flashing all above modes automatically				1 second cycle	

NOTE: