

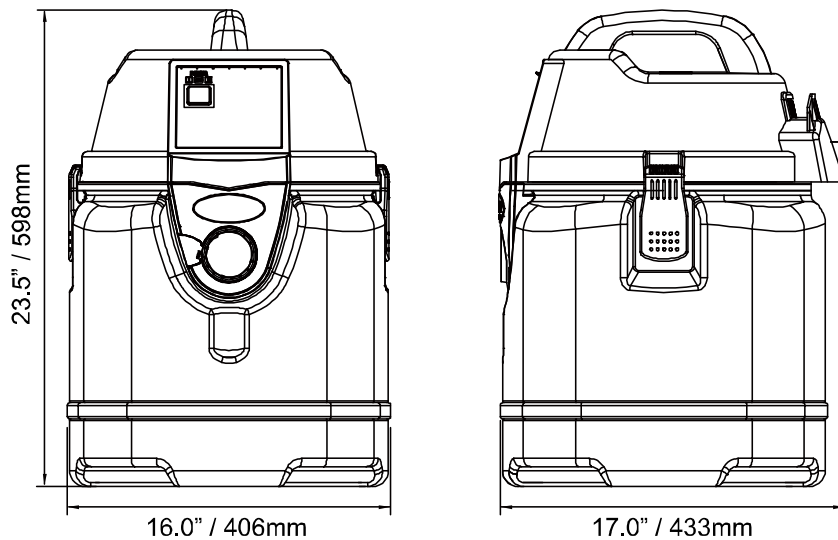
Matala[®]
"Make water alive"

Pond Vacuum Pro

The Muck Buster Pro

Pond Maintenance Made Easy





Specifications

Model	Pond Vacuum Pro
Rated Voltage (V)	AC 110-120V or AC 220-240V / 50 or 60Hz
Power consumption (W/HP)	1150 / 1.5
Container capacity (Gal/L)	9.5 / 36
Water drain out in second	40-45
Suction hose length (ft/m)	16.4 / 5
Discharge hose length (ft/m)	8.2 / 2.5
Cable length (ft/m)	16.4 / 5
Weight (lbs/kg)	32.6 / 14.8

• The above specifications are subject to change without prior notice.

Safety instructions Power connection

- Only operate the device when no people are in the water!
- Before reaching into the water always unplug all devices located in the water.
- Only operate the device from an outlet that has been installed in accordance with directions.
- Compare supply voltage (V) and supply frequency (Hz) of your power source with the data on the nameplate. These data must agree.
- Ensure that the device is protected via a residual current protective circuit with a rated residual current of maximum 30Ma. Please consult an electrician!
- For safety plug the vacuum into an electrical outlet with a (GFCI) Ground Fault Circuit Interrupter.
- Electrical installations for garden ponds must satisfy the international and national building determinations.
- Do not carry or pull the device by the connecting cable!
- Keep the power plug and all connection points dry!
- The device may not be operated if cable or casing is defective! Please consult your dealer or a specialized workshop.

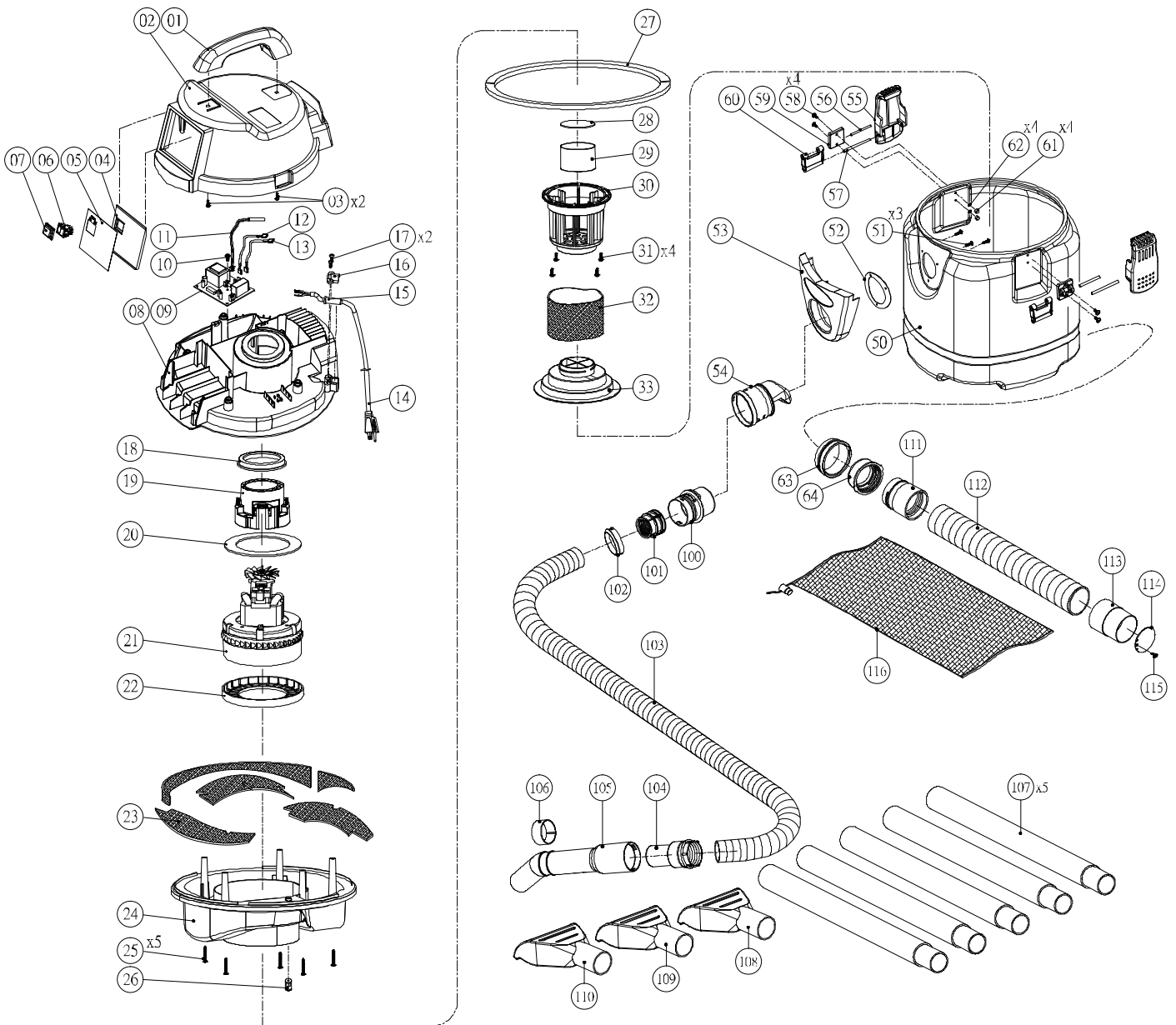
Parts

- Collection container with motor casing and 5 m (16 ft) cable.
- 2.5 m (8 ft). discharge hose with integrated blocking flap.
- 5 m (16 ft).suction hose, hose and piece, 5 extension tubes.
- 3 adjustable floor nozzles (for particle size 2, 5, 10 mm). (for particle size 1/10",.1/5",3/8")
- Sludge collection bag.
- Operation instructions.

Ordering replacement parts

When ordering, please state the appliance type, designation, and item from the following table:

Pond Vacuum Pro



NO.	NAME OF PART	Q'ty	NO.	NAME OF PART	Q'ty	NO.	NAME OF PART	Q'ty	NO.	NAME OF PART	Q'ty
01	Handle	1	19	Motor fan cover	1	52	Joint cover packing	1	104	Sleeve B	1
02	Head cover	1	20	Motor packing	1	53	Joint cover	1	105	Joint handle	1
03	Tapping screw	2	21	Motor	1	54	Hose joint	1	106	Joint handle ring	1
04	Switch panel base	1	22	Support ring A	1	55	Link clamp	2	107	Extention pipe	5
05	Switch label	1	23	Sound absorber	1	56	Clamp base pin	2	108	Master nozzle	1
06	Power switch	1	24	Motor base	1	57	Clamp pin	2	109	Master nozzle	1
07	Switch holder cover	1	25	Tapping screw	5	58	Bolt	4	110	Master nozzle	1
08	Motor cover	1	26	Pressure valae set	1	59	Clamp base	2	111	Joint sleeve-B	1
09	Level control PCB	1	27	Motor base packing	2	60	Link	2	112	Hose	1
10	Tapping screw	1	28	Float packing	1	61	Cap nut	4	113	Joint sleeve-A	1
11	Proximity Switch	1	29	Float	1	62	Spring washer	4	114	Diaphragm	1
12	Lead Wire Ass'y	1	30	Float holder	1	63	Drain packing	1	115	Tapping screw	1
13	Lead Wire Ass'y	1	31	Tapping screw	4	64	Packing ring	1	116	Mesh bag	1
14	Cord	1	32	Filter	1						
15	Cord holder	1	33	Filter lock	1	100	Sleeve A	1			
16	Cord clamp	1				101	Screw ring	1			
17	Tapping screw	2	50	Tank	1	102	Click ring	1			
18	Support ring B	1	51	Tapping screw	3	103	Hose	1			

Assembly

1. Loosen the container clamps and remove motor casing. Take all parts out of the collection container.
2. Replace the motor casing and lock the clamps.
3. Insert the suction hose end into the upper opening of the collection container and lock by turning lightly to the right. (Please see picture 6)
4. Attach the extension tubes (number as required) and fit a suitable suction nozzle. (Please see picture 3,4)
5. Insert the open end of the discharge hose (the end of the hose without one way flapper Please see picture 9) into the lower discharge opening of the collection container. (Please see picture 7) The hose end with one way flapper should be away from the vacuum at farthest point. (Please see picture 10)

Setup

1. Set up the vacuum near the pond. The minimum clearance to the edge of the pond is 2 m (6.5 ft) for safety reasons. The device should be set up as close to water level as possible. Make sure the device is standing firmly.
2. Lay the discharge hose in such a manner that the sludge water is conducted into shrubbery or grassy area during draining. Lay the discharge hose flat on the ground (if possible with a slight incline downward).
3. Fasten the optional sludge collection bag on the end of the discharge hose if needed (for example when suctioning hair algae) (Please see picture 11), The sludge collection bag can be used as an optional attachment to collect only large debris like hair algae or leaves as the dirty water is draining out through the bag. Do not return any dirty water back to the pond. This is unhealthy for the fish. Only clear water without any offensive smell may be returned to the pond.
4. Connect the device to the mains power.

Operation

1. Insert one of the supplied nozzles (for particle size 2, 5, 10 mm). (for particle size 1/10", .1/5", 3/8")
2. Turn on the device using the main switch at the motor casing.
3. Vacuum up the sludge with slow and even movements. Keep the vacuum hose below waist level for best performance. When the collection container has reached its maximum liquid level, the vacuum will shut off automatically for 30 seconds.
The one way flapper at the end of the discharge hose (Please see picture 8,9) will open and the sludge runs out of the collection container. After 30 seconds the vacuum will turn on automatically again and the cleaning of the pond can be continued.
4. After use turn off the vacuum at the main switch.

Maintenance and repair

Please observe the safety instructions.

For the most part, the vacuum is maintenance-free. After use, merely rinse out the collection container and the sludge collection bag and clean the foam filter.

1. Switch off the Vacuum Cleaner using the main switch and unplug the power plug.
2. Remove all hoses and the motor casing.
3. Rinse the collection container with the garden hose until there is no more residue in it.
4. Pull the foam filter off and wash it out with garden hose water. The same applies for the sludge collection bag. Attention! Never use the vacuum without the foam filter!
5. Always check the float for ease of movement.

Operating instructions

This device has been developed with special consideration of technical safety standards.

Nevertheless, the following instructions must be complied with to use the device safely:

- The minimum clearance to the edge of the pond is 2 m / 6.5 ft. for safety reasons.
- The device may only be used for suctioning deposits on the pond floor. The device may only be implemented for private use-.
- Never vacuum up flammable or toxic liquids like gasoline, copy machine toner or other volatile substances.
- Never vacuum up acids.
- Never use in the presence of explosive liquids or fumes. The device is not explosion protected.
- Never vacuum up asbestos or asbestos dust.
- Never vacuum up hot or smouldering ashes, smouldering cigarette butts or similar objects.
- Never vacuum up dirt, such as dust, sand or similar things.
- Never make technical changes to the device.
- Only use original replacement parts and accessories made for the Matala Pond Vacuum Pro.
- Only have the device repaired at authorized customer service locations.
- Do not operate the device in the rain or leave it standing in the rain.



• Turn yellow ring on handle to open air vent.

• Use finger to adjust air flow.

Suction Adjustment Ring

- To extend vacuum time turn yellow ring on handle to open vent.
- Hold Finger over vent when increased suction is needed.
- Release finger when less suction is needed.

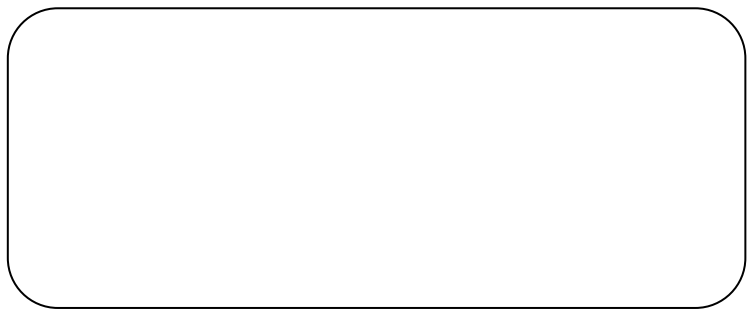
IE: To vacuum heavy particles, place finger over the hole

Trouble shooting

Any aberrance of this products, please check the following details and if still not functioning, please send back to the store.

Status	Process
Motor is at rest	Check the electricity voltage in the right.
	Check whether power code whether breakage.
Low suction	Check any block in Hose or extension tube.
	Check filter bag for dust over load or others.
	Check powder filter is attached too much dust or others.
	Check and dust or water in the tank.

DISTRIBUTED BY



150803

MATALA WATER TECHNOLOGY CO., LTD.
www.matala.com.tw