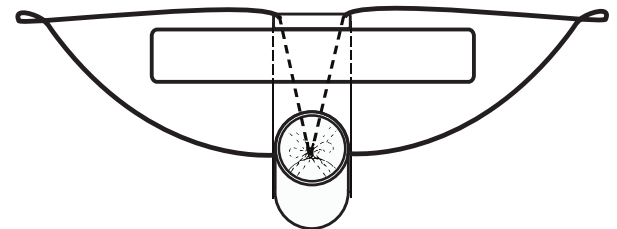
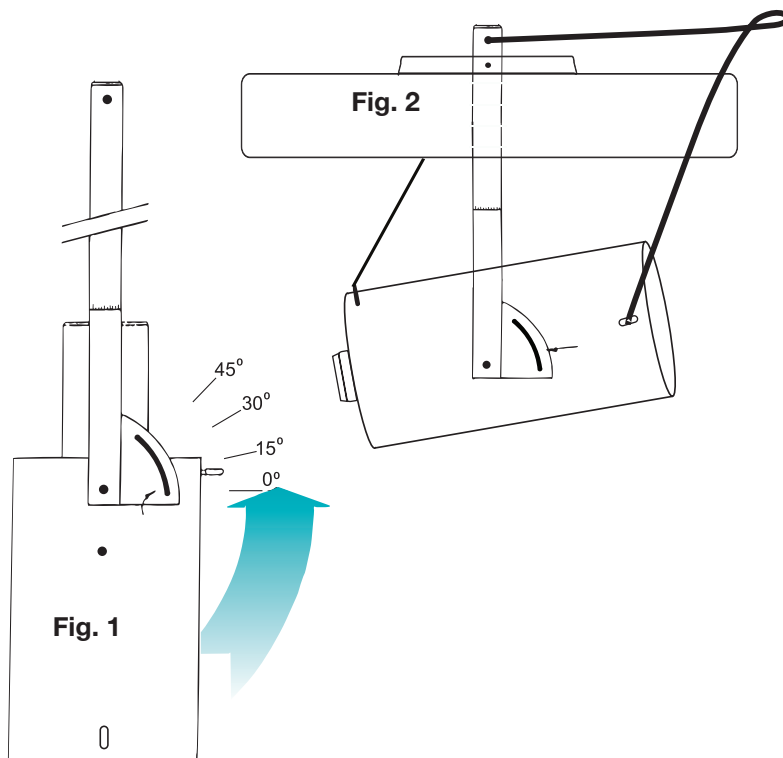




We at Scott Aerator thank you for your purchase. It is our goal to ensure that you are completely satisfied with your new No-Icer and that it continues to operate smoothly for many years to come. Please take a few moments to read through this document for proper assembly, installation and maintenance to maximize the operating life of the unit.

Assembly Instructions

1. Remove 5/16" x 1" hex cap screw from the yoke bracket. Fig. 1
2. Tilt yoke bracket to the desired angle of water flow. Use the 5/16" x 1" hex cap screw to secure the yoke bracket and gray tube in the desired position. For the best results, position the unit 12" below the water's surface and angled upward at 45°.
3. Place float over the top of the yoke. Align the holes in the float with the top hole in the yoke bracket. Fig. 2
4. Draw the rope up through the float. Take the long eyebolt and insert through the yoke bracket and float. Secure the red eyebolts in the red marked holes in the gray tube.
5. Take the 2 lengths of rope included with the unit and tie them to the loops in the white rope. Adjust the 2 lengths of rope between docks or pilings to achieve position that works best.
6. If the float has a tendency to rise when the unit is on, move loops down 3-4 inches.

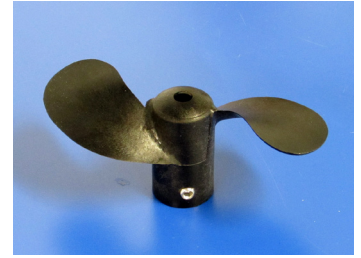


! Always use a GFCI
Always disconnect the power
when swimmers are present

! Do NOT use an extension cord
to supply power to the motor

Maintaining your No-Icer Float Model

Most of our products require very little to any maintenance. Under normal operating conditions, you should enjoy many years of trouble free service from the unit. As a rule of thumb, the propeller assembly on our No-Icer should be changed every five years. This is a simple procedure that can be done on-site. When the unit is removed from the water for the propeller switch, it would be a good opportunity to wash the unit down with high pressure water. Once the unit is clean, a visual inspection of the entire No-Icer is recommended to be certain nothing is restricting water flow.



Propeller
Part # 30005

Standard Features

- PVC and American made stainless steel components for all-weather performance
- Moves 400 gallons per minute
- Oil free motor Motor: 115 Volt 60 HZ, single phase, 10 amps, 680 watts, 3,450 rpms
- 12 gauge submersible power cord, 25 feet included, capped by a rugged Hubbell marine style plug

Options and Accessories

- 230 volt models available
- Three phase power available
- 50Hz models available
- Longer power cords available

Thermostat (optional accessory)

Save money on your electric bill! Introducing our De-Icer In-Line Thermostat. This outdoor, heavy duty thermostat control box allows you to set and forget your De-Icer to run when temperatures get frigid. Factory set at an outside air temperature of 30 degrees Fahrenheit, the thermostat automatically starts your De-Icer and keeps it running until the air temp warms to 31 degrees F, or higher. Fully adjustable from 0 F up to 80 F, this product is UL listed. The impact resistant enclosure and 8 foot power cord both come standard, simply plug your De-Icer in and you're ready to go.



Thermostat
Part # 20042

The Scott Aerator Awesome Warranty

All standard Scott Aerator products are unconditionally warranted for five years against motor defects in materials or workmanship, under normal operating conditions. All other product components are warranted for one year from date of purchase. Scott Aerator will repair or replace failed parts under warranty when the defective unit is returned to the factory, shipping prepaid, and factory inspection establishes that the part was defective. The unit must be returned to the factory prior to shipment of replacement parts. All parts replaced under this warranty will be returned with shipping prepaid. Scott Aerator will not be liable for consequential damage nor for any costs associated with removal or attempts to repair components in the field.



13245 Barry Street, Holland, MI 49424

scottaerator.com

information@scottaerator.com

800-WATER-45 (800-928-3745)

(616) 392-8882

